

APPLICATION:

PRODUCT NAME:
**SINGLE BASE WALL MOUNT
 WITH 3/8" NPT RIGID OUTLET**

JOB NAME:

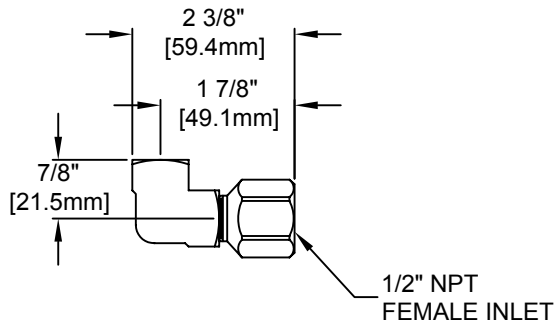
_____ SPECIAL CONFIGURATION
 (CHECK BASE MODEL AND OPTIONS)

MODEL:
 2461

QUANTITY:

ITEM NO.:

OPTIONS OR MODIFICATIONS:
 OTHER _____



FEATURES:

- * WALL MOUNT
- * 3/8" NPT FEMALE OUTLET
- * 1/2" NPT FEMALE INLET
- * PLATED CHROME BODY

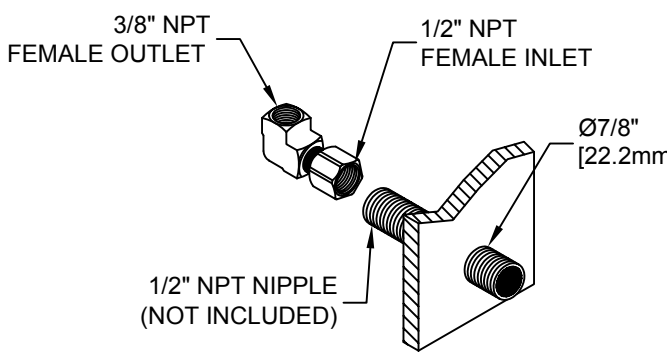
SYSTEM LIMITS

- * TEMP: 40°F MIN. TO 140° MAX.
- * PRESSURE: 200 PSI MAX. STATIC

SHIPPING WEIGHT

- * 0.5 LBS

ROUGH-IN:



APPLICATION:

PRODUCT NAME:

**SINGLE BASE BACKSPLASH MOUNT
WITH SWIVEL OUTLET**

JOB NAME:

_____ SPECIAL CONFIGURATION
(CHECK BASE MODEL AND OPTIONS)

QUANTITY:

ITEM NO.:

MODEL:

3900

OPTIONS OR MODIFICATIONS:

OTHER _____

FEATURES:

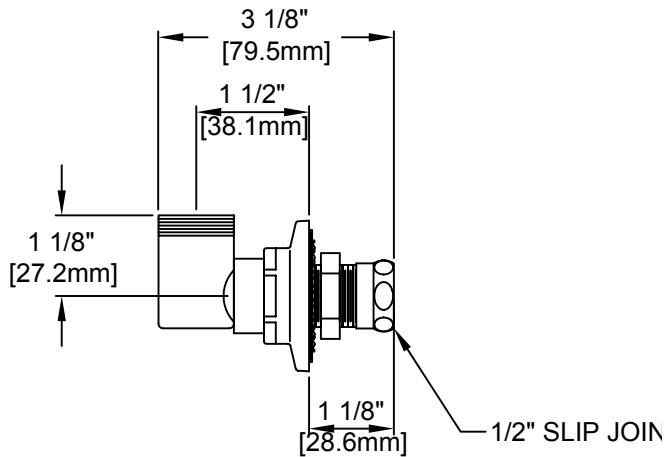
- * BACKSPLASH MOUNT
- * SWIVEL OUTLET
- * 1/2" NPT INLET
- * PLATED CHROME BODY
- * 1/2" SLIP JOINT KIT INCLUDED

SYSTEM LIMITS

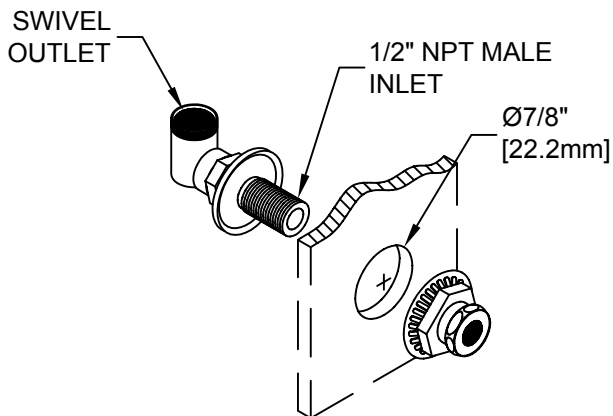
- * TEMP: 40°F MIN. TO 140° MAX.
- * PRESSURE: 200 PSI MAX. STATIC

SHIPPING WEIGHT

- * 0.625 LBS



ROUGH-IN:



ANSI/A112.18.1M

FISHER

FISHER MANUFACTURING COMPANY
TOLL FREE: 800-421-6162 - FAX: 800-832-8238
information@fisher-mfg.com - www.fisher-mfg.com

APPLICATION:

PRODUCT NAME:
**SINGLE BASE BACKSPLASH MOUNT
 WITH 3/8" NPT RIGID OUTLET**

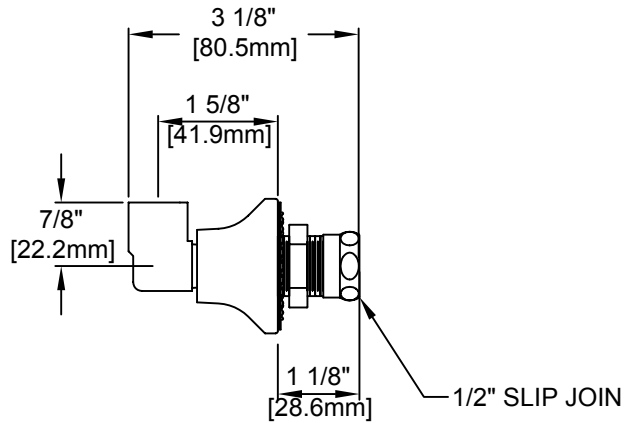
JOB NAME:

_____ SPECIAL CONFIGURATION
 (CHECK BASE MODEL AND OPTIONS)

QUANTITY:

ITEM NO.:

MODEL:
 3900-0002



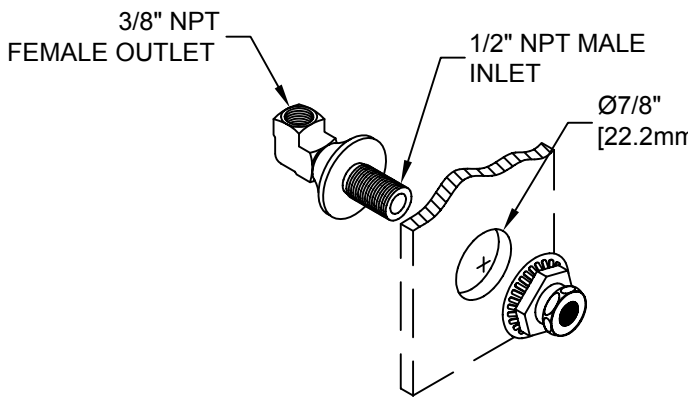
OPTIONS OR MODIFICATIONS:
 OTHER _____

FEATURES:
 * BACKSPLASH MOUNT
 * 3/8" NPT FEMALE OUTLET
 * 1/2" NPT INLET
 * PLATED CHROME BODY
 * 1/2" SLIP JOINT KIT INCLUDED

SYSTEM LIMITS
 * TEMP: 40°F MIN. TO 140° MAX.
 * PRESSURE: 200 PSI MAX. STATIC

SHIPPING WEIGHT
 * 0.75 LBS

ROUGH-IN:



APPLICATION:

PRODUCT NAME:
**SINGLE BASE WALL MOUNT
 WITH SWIVEL OUTLET**

JOB NAME:

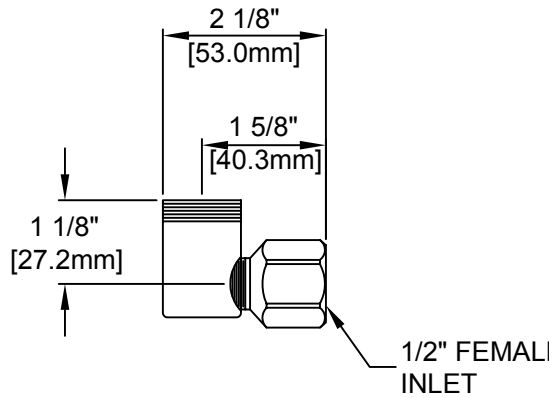
_____ SPECIAL CONFIGURATION
 (CHECK BASE MODEL AND OPTIONS)

MODEL:
 4900

QUANTITY:

ITEM NO.:

OPTIONS OR MODIFICATIONS:
 OTHER _____



FEATURES:
 * WALL MOUNT
 * SWIVEL OUTLET
 * 1/2" NPT FEMALE INLET
 * PLATED CHROME BODY

SYSTEM LIMITS
 * TEMP: 40°F MIN. TO 140° MAX.
 * PRESSURE: 200 PSI MAX. STATIC

SHIPPING WEIGHT
 * 0.25 LBS

ROUGH-IN:

