

JOB NAME

ITEM NO.

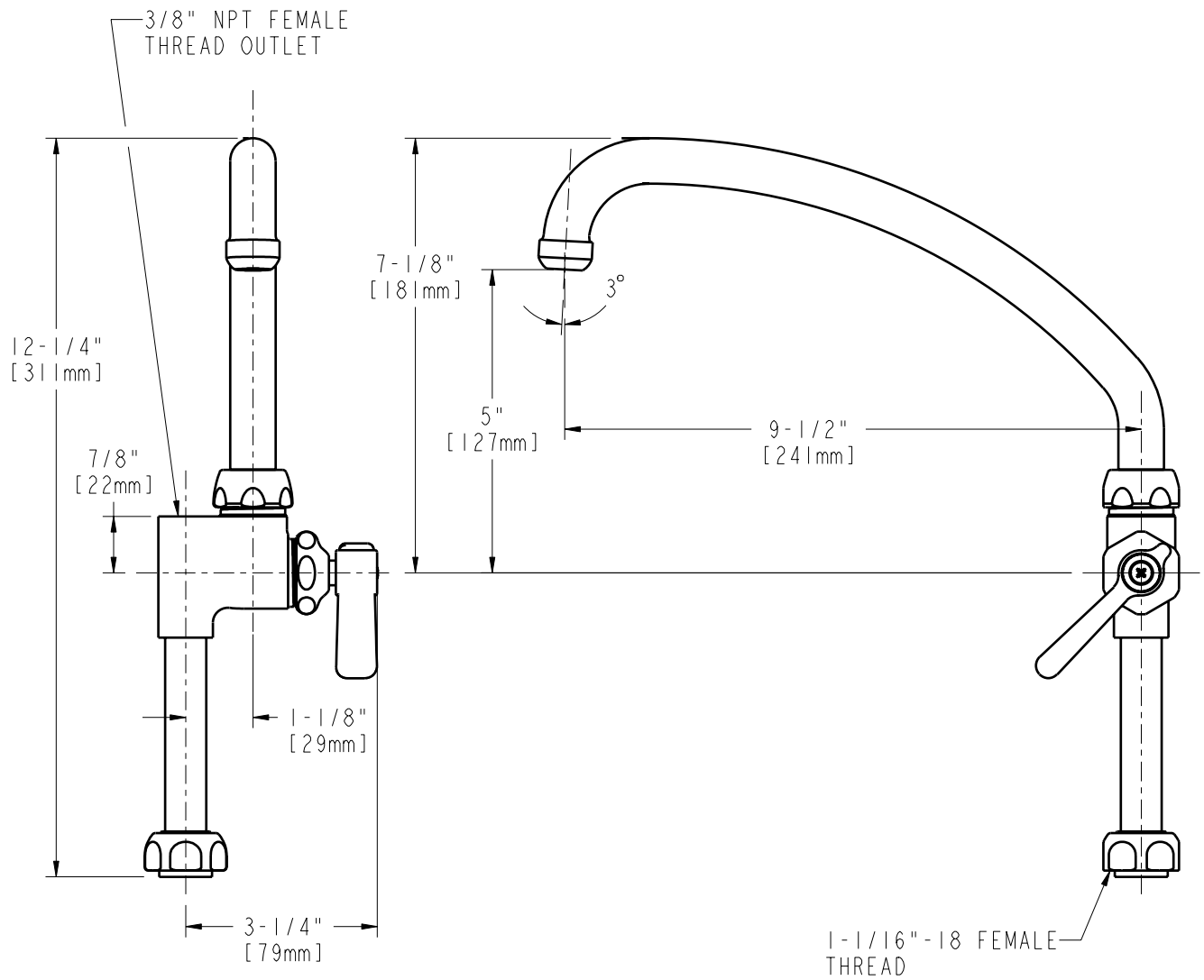
SUBMITTED AS SHOWN

SUBMITTED AS NOTED

SEE ATTACHED FOR
SUBMITTED MODIFICATION



ADA COMPLIANT



ROUGHING IN DIMENSIONS MAY VARY AND ARE SUBJECT TO CHANGE. NO RESPONSIBILITY IS ASSUMED FOR USE OF SUPERCEDED OR VOIDED DATA.

TECHNICAL DATA

- ADAPTA FAUCET
- L9 SWING SPOUT
- 369 INDEXED LEVER HANDLE
- QUATURN OPERATING CARTRIDGE
- FINISH: CHROME PLATE

- EI QUIXTOP AERATOR
- ASME A112.18.1M COMPLIANT
- CSA B125 COMPLIANT
- NSF 61, SECTION 9

DATE: 04-29-02

BY: SID

CHK'D:

APP'D:

REV: A

613-A