

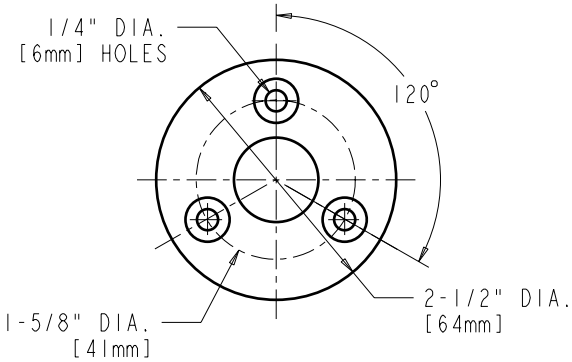
JOB NAME

ITEM NO.

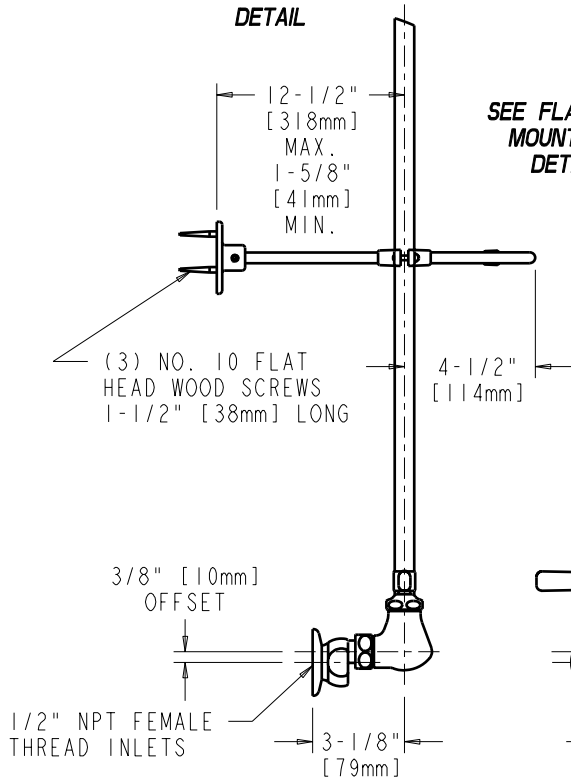
SUBMITTED AS SHOWN

SUBMITTED AS NOTED

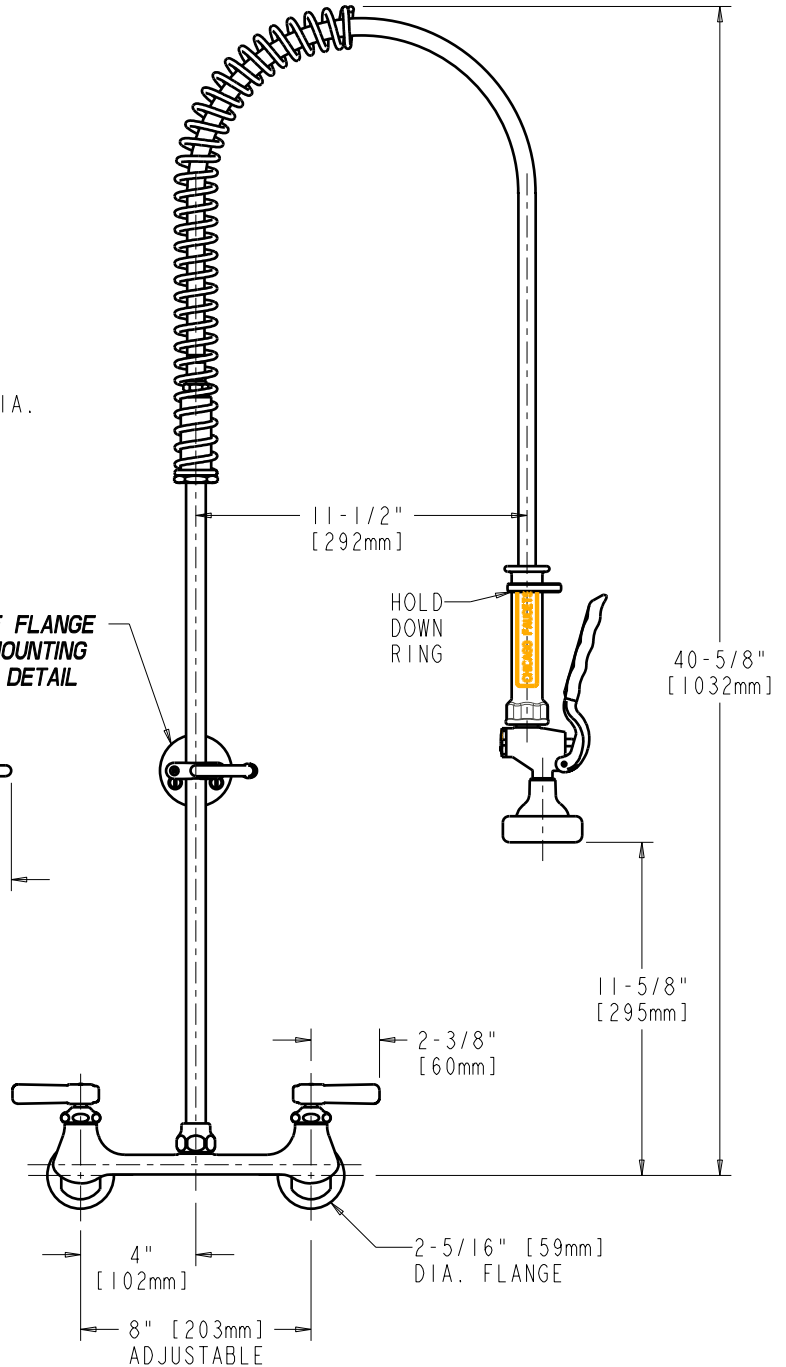
SEE ATTACHED FOR
SUBMITTED MODIFICATION



**FLANGE MOUNTING
DETAIL**



SEE FLANGE MOUNTING
DETAIL



TECHNICAL DATA

- WALL MOUNTED PRE-RINSE SPRAY
- 80-L SELF CLOSING SPRAY VALVE
- 369 INDEXED LEVER HANDLES
- QUATURN OPERATING CARTRIDGES
- 'GC' ADJUSTABLE SUPPLY ARMS WITH INTEGRAL CHECKS
- FINISH: CHROME PLATE

- 44" STAINLESS STEEL HOSE
- 23" RISER
- INTEGRATED PIPE SUPPORT & HOOK ASSEMBLY
- ASME A112.18.1M COMPLIANT
- CSA B125 COMPLIANT

DATE: 10-15-05

BY: JAR

CHK'D:

APP'D:

REV: 10-11-06

510-GCL

ROUGHING IN DIMENSIONS MAY VARY AND ARE SUBJECT TO CHANGE. NO RESPONSIBILITY IS ASSUMED FOR USE OF SUPERCEDED OR VOIDED DATA.