



# T&S BRASS AND BRONZE WORKS, INC.

2 Saddleback Cove / P.O. Box 1088  
Travelers Rest, SC 29690



REG. #A2601  
ISO #9001

Model No.

B-0133-01

Item No.

Travelers Rest, SC: 800-476-4103 Simi Valley, CA: 800-423-0150 Fax: 864-834-3518 www.tsbrass.com

This Space for Architect/Engineer Approval

Job Name \_\_\_\_\_ Date \_\_\_\_\_

Model Specified \_\_\_\_\_ Quantity \_\_\_\_\_

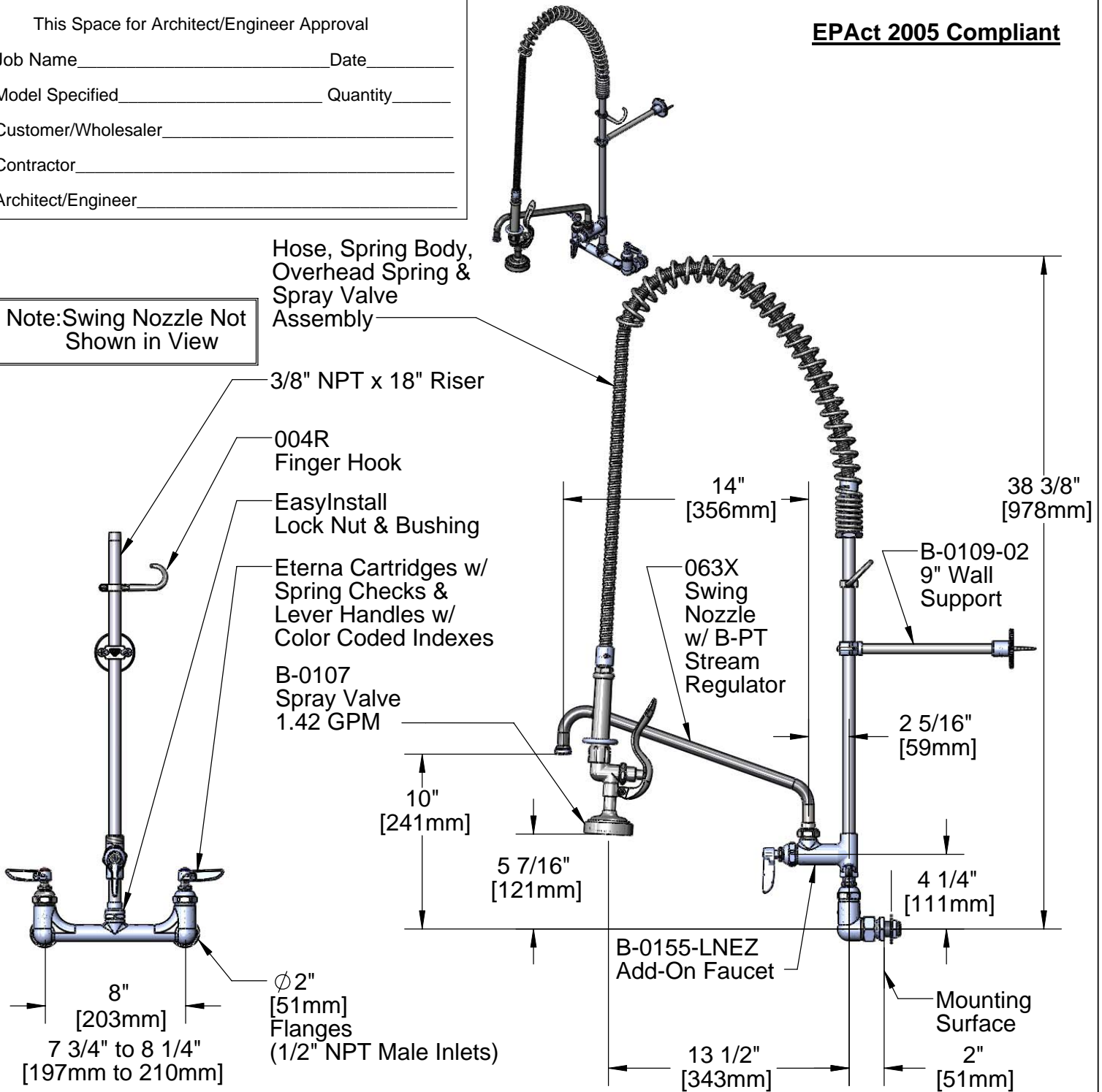
Customer/Wholesaler \_\_\_\_\_

Contractor \_\_\_\_\_

Architect/Engineer \_\_\_\_\_

**EPAct 2005 Compliant**

Note: Swing Nozzle Not Shown in View



Product Specifications:

EasyInstall Pre-Rinse Unit: 8" c/c Wall Mount Mixing Faucet, 00CC 1/2" NPT Male Inlets, 18" Riser, Overhead Spring, 56" Flex Hose, B-0107 Spray Valve, 063X Swing Nozzle, Add-On Faucet & B-0109-02 9" Wall Support

Drawn DHL	Checked JRM	Approved JHB
Scale: 1:8		Date: 07/02/09



# T&S BRASS AND BRONZE WORKS, INC.

2 Saddleback Cove / P.O. Box 1088  
Travelers Rest, SC 29690



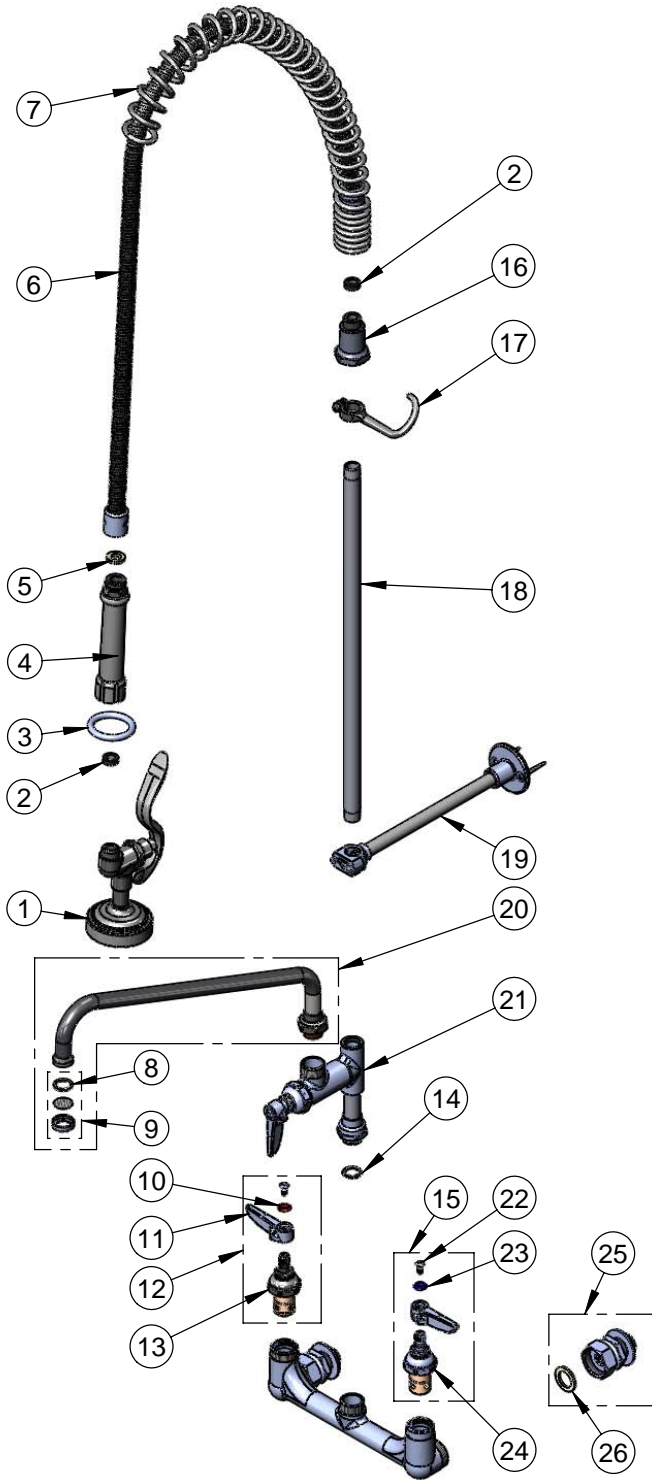
REG. #A2601  
ISO #9001

Model No.

**B-0133-01**

Item No.

Travelers Rest, SC: 800-476-4103 Simi Valley, CA: 800-423-0150 Fax: 864-834-3518 www.tsbrass.com



ITEM NO.	SALES NO.	DESCRIPTION
1	B-0107	Spray Valve Asm
2	010476-45	#27 Washer
3	000907-45	Spray Valve Hold Down Ring
4	002987-40	Grip Handle Assembly
5	001014-45	Washer, B-0100 Hose Barrel
6	B-0056-H2A	56" Flex Hose Assembly, Less Handle
7	000888-45	EasyInstall Overhead Spring
8	001048-45	Nozzle Tip Washer
9	B-PT	Stream Regulator Outlet
10	001661-45	Red Index-HW
11	001638-45	Lever Handle
12	002712-40	Hot Eterna Spindle Assembly w/ Spring Check, Handle, Index & Screw
13	012443-40	Hot Eterna Spindle Assembly w/ Spring Check
14	014200-45	Star Washer, Anti-Rotation
15	002711-40	Cold Eterna Spindle Assembly w/ Spring Check, Handle, Index & Screw
16	000821-40	Spring Body
17	004R	Finger Hook Assembly
18	000369-40	3/8" NPT x 18" Long Riser
19	B-0109-02	9" Wall Support Assembly
20	063X	14" Swing Nozzle Assembly
21	B-0155-LNEZ	EasyInstall Add-On Faucet Less Nozzle
22	000922-45	Lever Handle Screw
23	001660-45	Blue Index-CW
24	012442-40	Cold Eterna Spindle Assembly w/ Spring Check
25	00CC	Flange Coupling Nut
26	001019-45	Coupling Nut Washer

**Product Specifications:**

EasyInstall Pre-Rinse Unit: 8" c/c Wall Mount Mixing Faucet, 00CC 1/2" NPT Male Inlets, 18" Riser, Overhead Spring, 56" Flex Hose, B-0107 Spray Valve, 063X Swing Nozzle, Add-On Faucet & B-0109-02 9" Wall Support

Drawn <b>DHL</b>	Checked <b>JRM</b>	Approved <b>JHB</b>
Scale: <b>NTS</b>		Date: <b>07/02/09</b>