



T&S BRASS AND BRONZE WORKS, INC.

2 Saddleback Cove / P.O. Box 1088
Travelers Rest, SC 29690



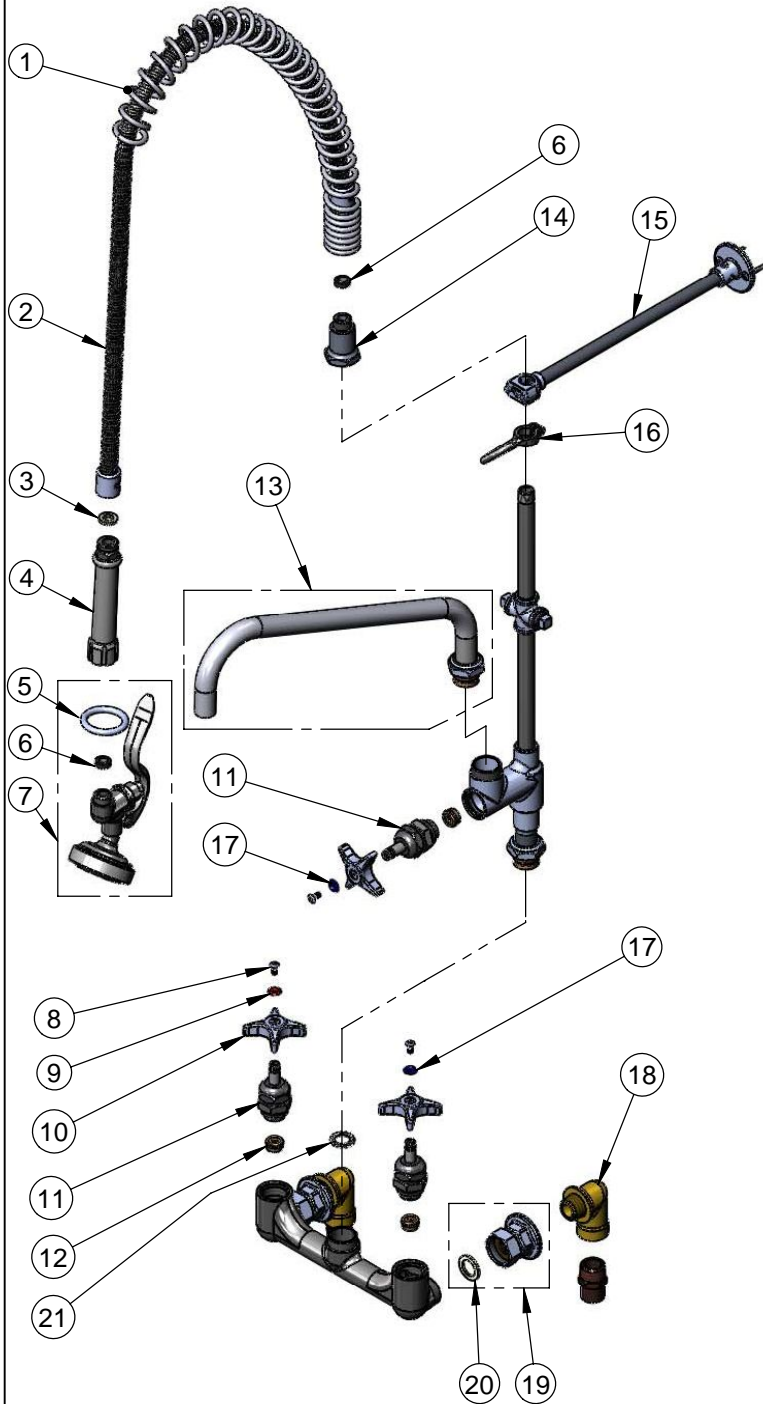
REG. #A2601
ISO #9001

Model No.

B-0287-PS-OH

Item No.

Travelers Rest, SC: 800-476-4103 Simi Valley, CA: 800-423-0150 Fax: 864-834-3518 www.tsbrass.com



ITEM NO.	SALES NO.	DESCRIPTION
1	000888-45	Easy Install Overhead Spring
2	B-0054-H	54" Flex Hose Assembly, Less Handle
3	001014-45	Washer, B-0100 Hose Barrel
4	002987-40	Grip Handle Assembly
5	000907-45	Spray Valve Hold Down Ring
6	010476-45	#27 Washer
7	B-0107-035	Spray Valve Assembly
8	000922-45	Lever Handle Screw
9	001661-45	Red Index-HW
10	002521-45	4-Arm Handle
11	006482-40	Spindle Asm, B-0290 (RH)
12	000764-20	Seat, B-290 RM
13	014462-40	14" BIG-FLO Swing Nozzle Assembly
14	000821-40	Spring Body
15	B-0109-03	12" Wall Bracket Assembly
16	004R	Finger Hook Assembly
17	001660-45	Blue Index-CW
18	00LL	B-0290 Elbow Assembly
19	00BB	Flange Assembly
20	001019-45	Coupling Nut Washer
21	016807-45	Serrated Lock Washer

Product Specifications:

8" c/c Back Splash Mount PRU w/ BIG-FLO Base Faucet, Easyinstall BIG-FLO Add-On Faucet, Overhead Spring, 54" Flex Hose, B-0107-035 Spray Valve, 14" Swing Nozzle, B-GH & B-0198 Attachments, 12" Wall Bracket & Check Valves

Drawn KJG	Checked GEF	Approved JHB
Scale: NTS		Date: 08/28/09