

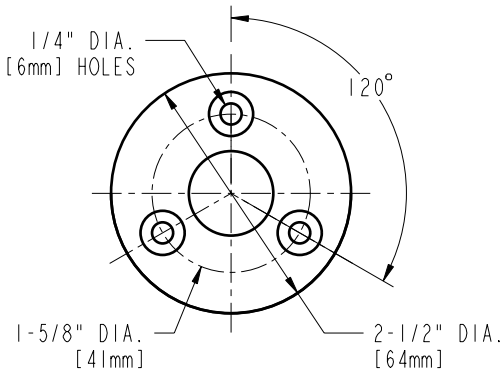
JOB NAME

ITEM NO.

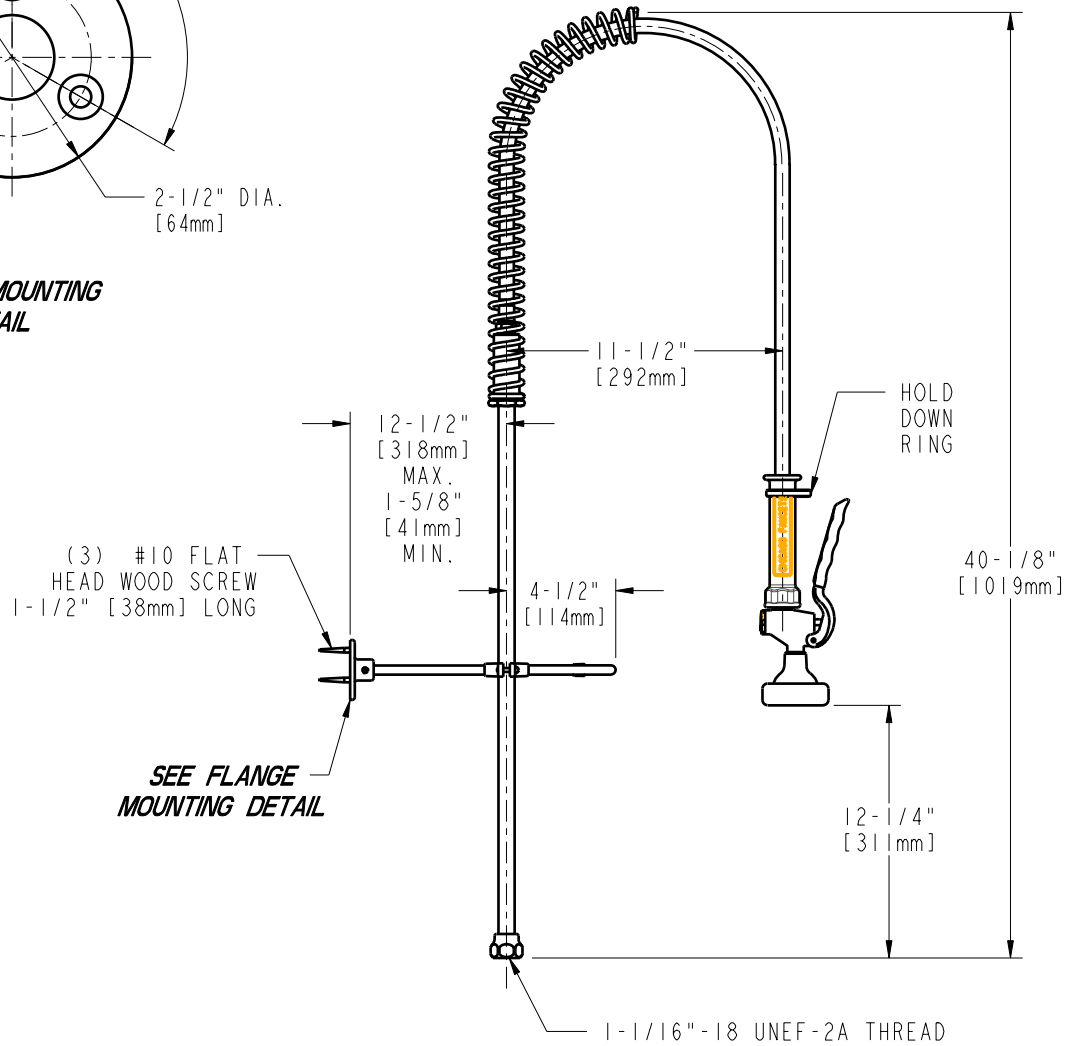
SUBMITTED AS SHOWN

SUBMITTED AS NOTED

SEE ATTACHED FOR  
 SUBMITTED MODIFICATION



**FLANGE MOUNTING  
 DETAIL**



**SEE FLANGE  
 MOUNTING DETAIL**

**TECHNICAL DATA**

- PRE-RINSE FITTING LESS BODY ASSEMBLY
- 44" STAINLESS STEEL HOSE
- 80-L SELF CLOSING SPRAY VALVE
- 23" RISER
- INTEGRATED PIPE SUPPORT & HOOK ASSEMBLY
- FINISH: CHROME PLATE

- ASME A112.18.1M COMPLIANT
- CSA B125 COMPLIANT

DATE: 10-9-06

BY: JAR

CHK'D:

APP'D:

REV:

919-SL  
 TS-616

ROUGHING IN DIMENSIONS MAY VARY AND ARE SUBJECT TO CHANGE. NO RESPONSIBILITY IS ASSUMED FOR USE OF SUPERCEDED OR VOIDED DATA.