

# CHICAGO FAUCETS

a Geberit company

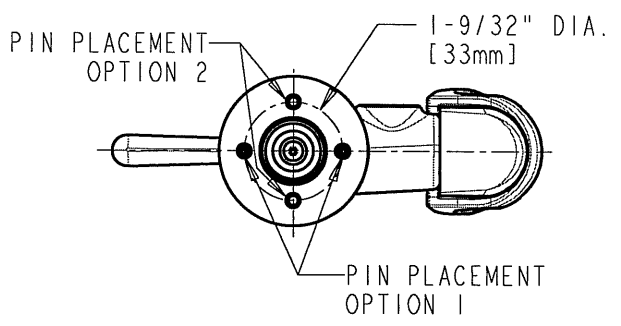
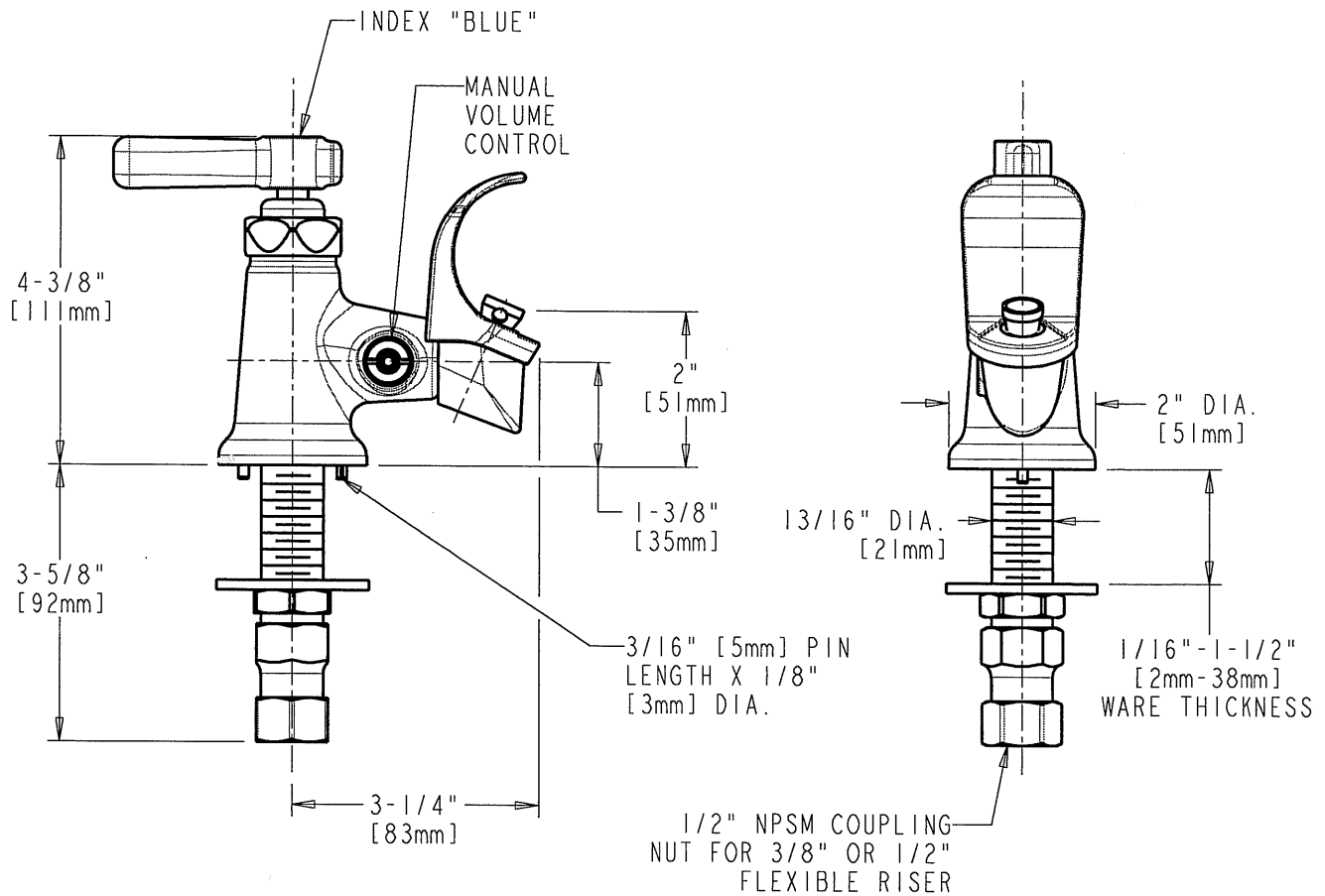
2100 SOUTH CLEARWATER DRIVE  
DES PLAINES, ILLINOIS 60018-5999

FITTING NO.
748-244FH
SUBMITTED MODEL NO.

JOB NAME

ITEM NO.

SUBMITTED AS SHOWN	
SUBMITTED AS NOTED	
SEE ATTACHED FOR SUBMITTED MODIFICATION	



ROUGHING IN DIMENSIONS MAY VARY AND ARE SUBJECT TO CHANGE. NO RESPONSIBILITY IS ASSUMED FOR USE OF SUPERCEDED OR VOIDED DATA.

TECHNICAL DATA

- FLEX HEAD DRINKING FOUNTAIN
- 369 INDEX LEVER HANDLE WITH VANDAL RESISTANT SCREW
- 826-X KLO-SELF OPERATING CARTRIDGE
- MANUAL VANDAL RESISTANT VOLUME CONTROL
- ANTI-ROTATION PINS
- FINISH: CHROME PLATE
- ANTI-MICROBACTERIAL FLEX HEAD
- 0.7 GPM (2.6 L/MIN.) FLOW CONTROL
- ASME A112.18.1M COMPLIANT
- CSA B125 COMPLIANT
- NSF 61 COMPLIANT

DATE: 11-29-06	748-244FH
BY: JAR	
CHK'D: <i>ZB</i>	
APP'D: <i>PA</i>	
REV:	